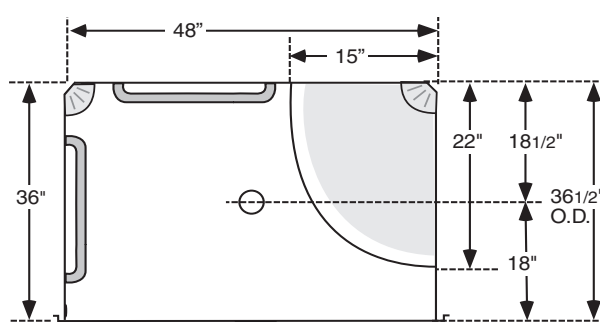
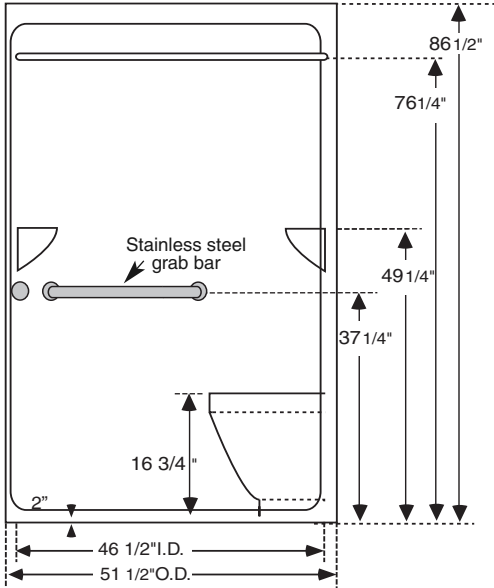
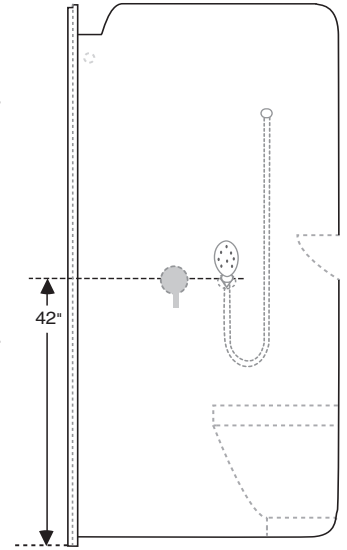


- Model A5136 BF-MS-2"L: Valve left, seat right
 Model A5136 BF-MS-2"R: Valve right, seat left



- ANSI Z124.2
- CSA B45.5 94/B45-94
- ASTM E-84/ULC-S-102
- Meets requirements for Universal Plumbing Code administered by IAPMO, HUD, BOCA, and NAHB



NOTE: Backing & bolts for grab bars may add up to 3/4" to overall dimensions.

Note: Dimensions may vary within normal manufacturing tolerances +/- 1/4".

ARCHITECTUAL SPECIFICATION:

Shower Enclosure shall be Acryline®, model number A 5136 BF-MS-2"-R or L molded from a single sheet of cast acrylic resulting in no seams or joints. Unit shall have a 2" or less threshold lip with MDF reinforcement for recessed installation. Enclosure shall be certified ANSI Z124.2 with a backside flame spread of less than 30. Inside measures 47" x 35 1/2" x 82". Outside measures 51 1/2" x 36 1/2" x 86 1/2". Approximate weight 205 lbs.

Enclosure equipped standard with integral molded seat and 2 integral molded soap trays. Enclosure will be equipped with 2 factory installed 18 gauge SS grab bars: 18" x 1 1/2" #OP212 . Grab bars to be installed with steel backing and shall be sealed to insure water tight integrity. Unit shall have 5/8" receiving flange, self-caulking brass drain with s.s. strainer #OP304 and the following options.

OPTIONS:

- | | |
|--|--|
| <input type="checkbox"/> Pressure balanced shower valve | <input type="checkbox"/> Anti-Bacterial shower curtain/hooks #OP227 |
| <input type="checkbox"/> Hand held shower w/ 60" flex hose & 24" slide bar | <input type="checkbox"/> Removable threshold #OP309 |
| <input type="checkbox"/> 30" slide bar | <input type="checkbox"/> Semi-permanent threshold #OP306 |
| <input type="checkbox"/> In-line vacuum breaker | <input type="checkbox"/> Collapsable (Roll-over) Water Retaining Strip #OP100A |
| <input type="checkbox"/> Halogen dome light #OP228 | <input type="checkbox"/> Pre-drilled for dome light #OP320 |
| <input type="checkbox"/> Forward flange adaptor (consult factory) | <input type="checkbox"/> 1" S.S Curtain rod #OP221 (Factory installed) |

Modifications:

Received and/or Approved by: