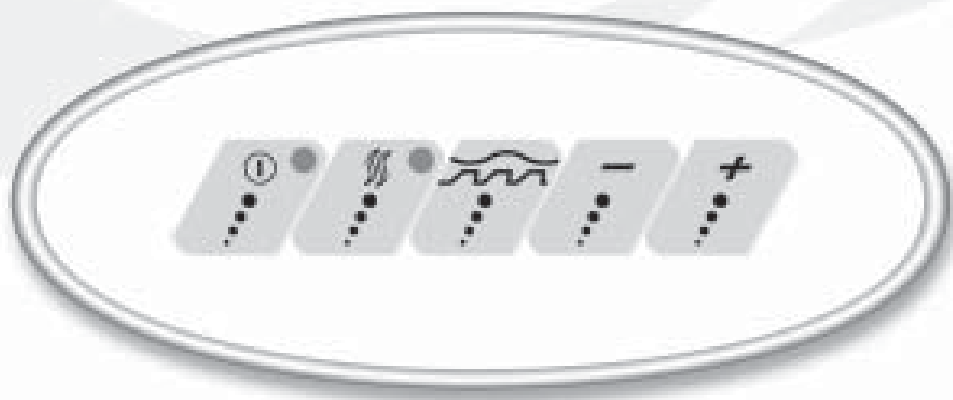


MIS-DTHH

User Instructions & Installation



Must be read prior to installation!
Manufacturer warranty applies only if unit has been properly installed.

On/Off key

Use On/Off key to turn the blower on or off. The blower is set to run automatically for 20 minutes. The indicator in the upper right corner of the key will light up when the blower is on.



Air Heater key

Use Air Heater key to turn the heater element on or off. The heater element works in sync with the blower; e.g. if blower is in low speed, heater element will be at low intensity, etc. The indicator in the upper right corner of the key will light up when the heater element is on.



Mode key

Pressing Mode key while the blower is on will change blower speed gradually from the minimum to a user-defined maximum. The "On/Off" indicator will change smoothly indicating system is in Wave mode. Pressing Mode key a second time while the blower is on will change blower speed rapidly from the minimum to a user-defined maximum. The "On/Off" indicator will flash indicating system is in Pulse mode.

Note: To set maximum Pulse mode speed, use +/- keys while in Pulse mode.

Pressing Mode key a third time will revert the blower to Normal mode.



+ & - keys

In Normal mode (in which the blower speed is constant), these keys allow the user to change the blower speed.

In Wave or Pulse mode, these keys allow the user to set the maximum blower speed.



Automatic purge

Fifteen minutes after the system has shut off, the blower will start again for a one-minute purge cycle allowing piping to thoroughly dry. The indicator will flash during the 15-minute pause.

Programmable daily purge

The system can be programmed for a one-minute purge that will be repeated every day at the same time. To set the daily purge, press and hold the + key for 5 seconds. The "On/Off" indicator will flash twice to confirm. To disable the daily purge, press and hold the + key for 5 seconds again.

Quick Reference Card



Blower installation

The blower is equipped with fastening brackets, allowing it to be fixed onto a surface beneath the tub in a place easily accessible by a trap door.

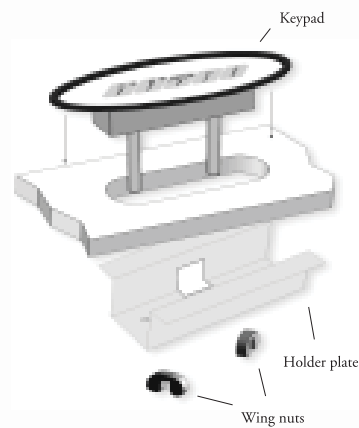
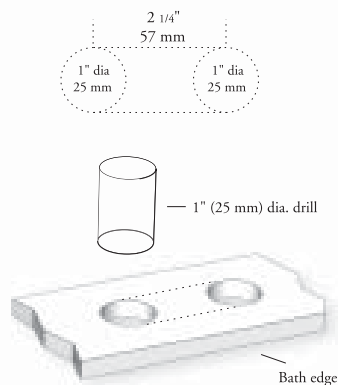
WARNING:
The blower must be fastened at a minimum height of 2" above ground level.



Keypad installation

The keypad should be installed directly onto the tub (or very close to it) in order to be easily accessible to the user.
Steps to follow:

- 1- Select the most appropriate location for the keypad.
- 2- Drill two 1" (25 mm) holes as illustrated. Cut out the material between the two holes.
- 3- Connect the keypad before securing it to the tub.
- 4- Insert the keypad and secure it in place using the holder plate as shown below.

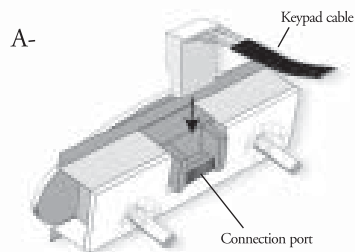


Interconnections

Power must remain OFF until all connections are completed!

Keypad:

A cable is provided to connect the keypad to the 8-pin keypad connector on the blower. Connect one end of the cable to the keypad as shown in Figure A, and the other to the blower as shown in Figure B.



Power input:

Locate the power input cable. Using a junction box, connect the cable to the electrical circuit, making sure to follow correct color codes.

GFCI:

It is mandatory to connect the control to a circuit protected with a Class A Ground Fault Interrupter.

