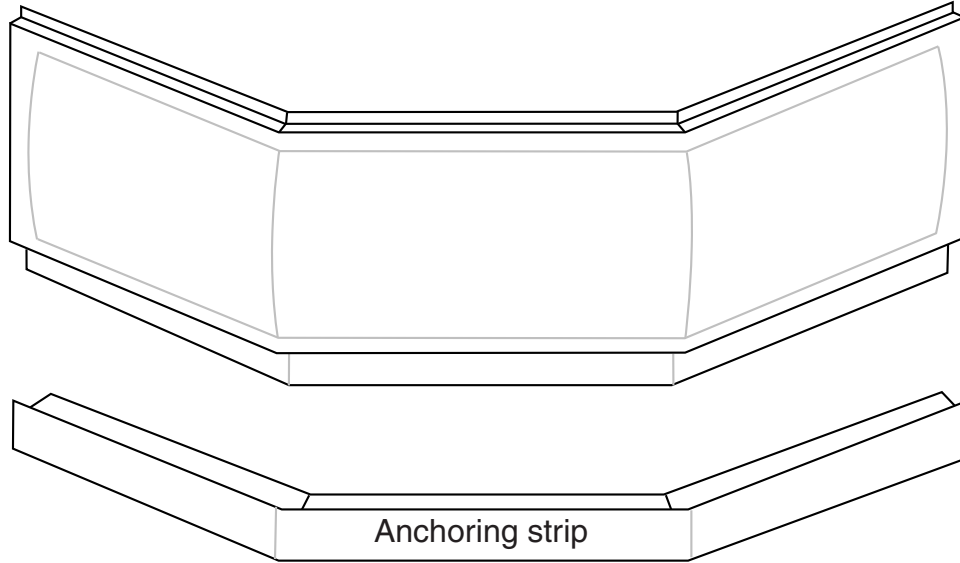


Neo Angle Skirt

FRONT VIEW



SKIRT SELECTION MATRIX	
Size:	Matches with bath model
Color:	<input type="checkbox"/> white, <input type="checkbox"/> bone, <input type="checkbox"/> biscuit, <input type="checkbox"/> other _____ (specify color)
Compatibility:	<input type="checkbox"/> Bermuda, <input type="checkbox"/> Dauphin, <input type="checkbox"/> Diana, <input type="checkbox"/> Mini, <input type="checkbox"/> Montroyal, <input type="checkbox"/> Opale, <input type="checkbox"/> Niagara

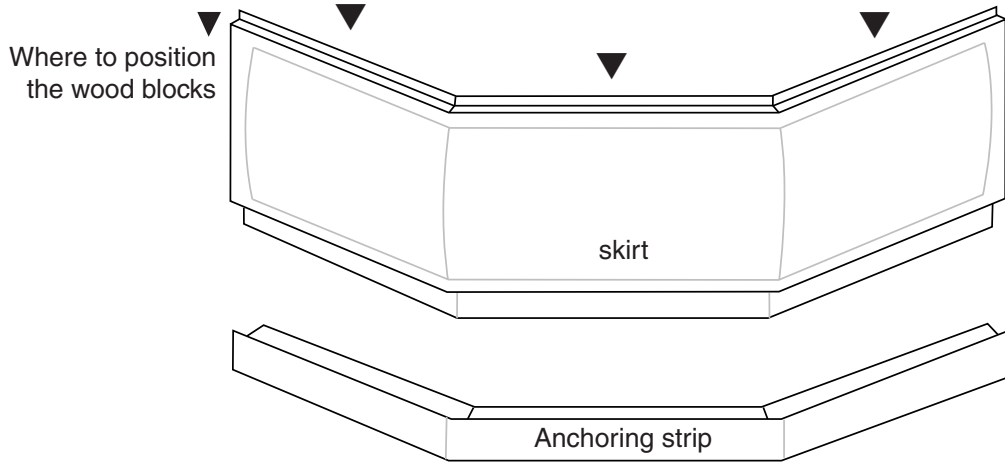
WARRANTY
 Acryline® warrants to the original purchaser only that its Acrylic skirts are free from defect in material or workmanship. Acryline® offers a (30) year warranty on Acrylic skirts. If any product fails during this period due to material or workmanship the original purchaser should notify Acryline® customer service.

MODIFICATIONS

April 2008

Final approval: _____ (signature) Printed name: _____ Date: (dd-mm-yy)

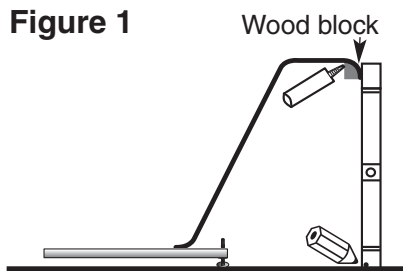
Installation Instructions for a Neo Angle bath skirt



IMPORTANT
 Make a trial fit of the skirt before finalizing installation.

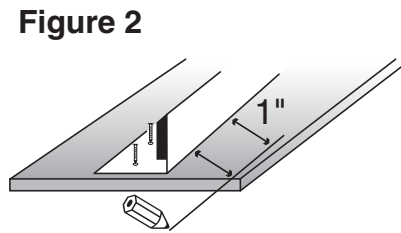
1

Once the leveled installation of the bath is completed, fix the adjustable legs to the floor. Glue the wood blocks beneath the rim of the bath and let the glue dry until the blocks are solidly in place. With a level, trace a line on the floor following the bath rim. (figure 1).



2

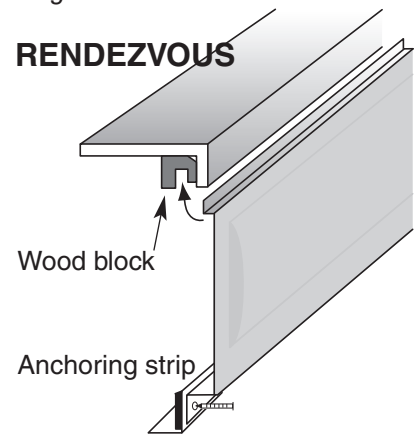
Secure the anchoring strip to the floor 1" inside the line. (see figure 2).



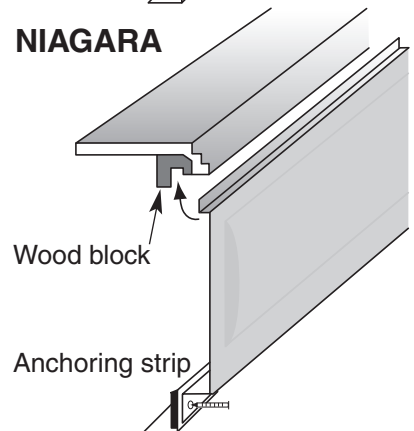
3

Insert the top of the skirt under the flange of the bath and then screw the skirt to the anchoring strip. Use the 6 predrilled holes as guides.

RENDEZVOUS



NIAGARA



TRIM NOTE:

Our skirt has been designed to fit in a variety of installation applications. In some cases it may be necessary to slightly trim the ends of the skirt. you must use a circular fine tooth saw from behind (the fiberglass unfinished side). You may need to sand the edges after trimming and must use 180 grade sand paper.