

(REMOVABLE THRESHOLD)
WITH ANCHORING BOLTS
Available for all ADA/BF Showers & Bases

INSTRUCTIONS

- 1** : Remove nylon bolts and set threshold to verify if trimming is required .(see fig. 1).
- 2** : Clean lip where RT is to be installed with rubbing alcohol or equal solvent.
- 3** : Carefully peel the protective covering off RT (see fig. 2) and press down into place.
- 4** : Fastened threshold using supplied S.S. bolts, to conceal, fill bolt holes with caulk.(see fig. 3).
- 5** : Caulk inside and outside seem of RT with silicone equal to "GE SILICONE II" (see fig. 3).
- 6** : Allow SPT to sit overnight before turning water on.(see fig. 4)

FIGURE 1

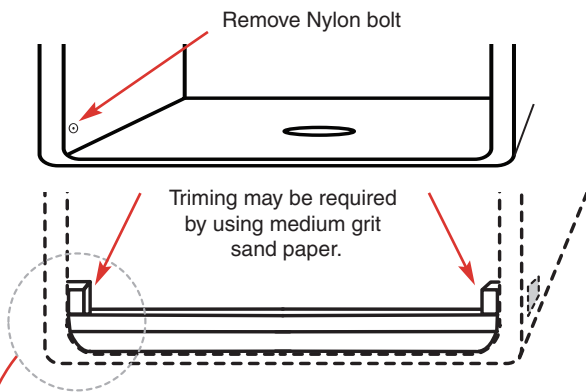


FIGURE 2

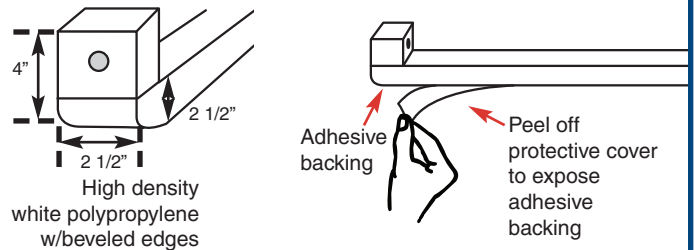


FIGURE 3

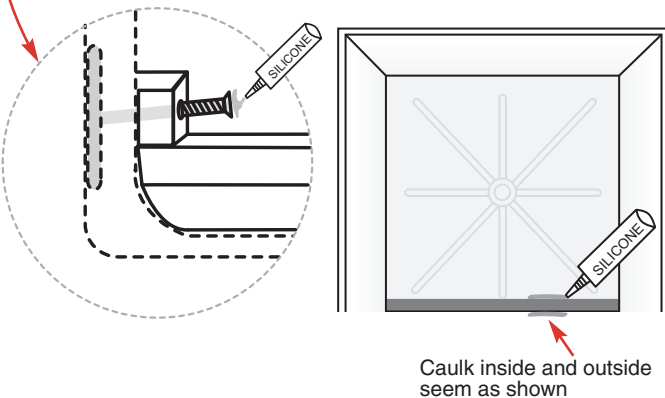
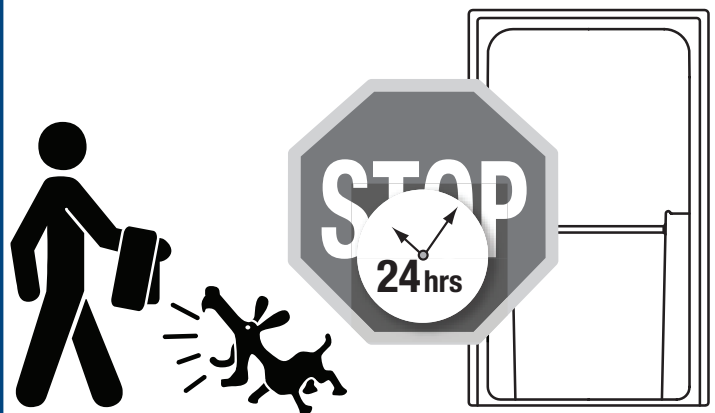


FIGURE 4



**(REMOVABLE THRESHOLD)
WITHOUT ANCHORING BOLTS (WATER DAM)**

INSTRUCTIONS

- 1** : Set threshold on shower Lip with beveled edge up. (see fig. 1)
- 2** : Trimming of the threshold may be required by using a medium grit sand paper (see fig. 2)
- 3** : Position threshold as shown (see fig. 3) once user has entered the shower
- 4** : Remove threshold to exit shower . (see fig. 4)
- 5** : Store Threshold in a warm dry area, Avoid excess heat and freezing.

FIGURE 1

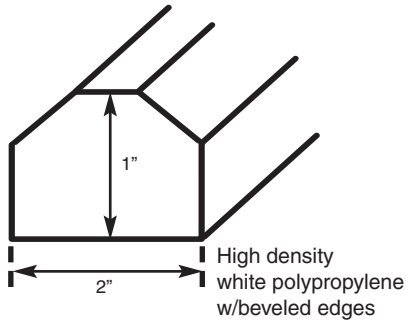


FIGURE 2

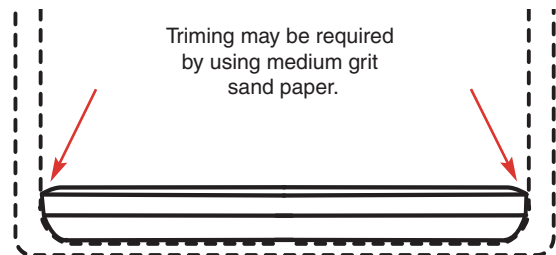


FIGURE 3



FIGURE 4

