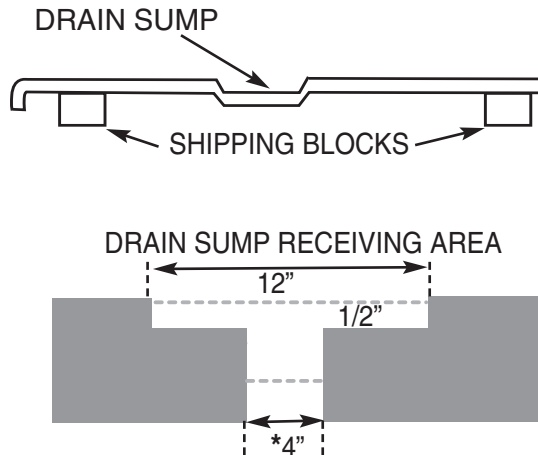


Installation Instructions ADA-Shower Base

SHIPPING BLOCKS & DRAIN SUMP DETAILS

Upon receipt, verify that each unit has factory mounted shipping blocks that prevent the drain sump from resting on the floor. If the drain sump is in contact with the floor, warpage will occur. This voids the manufacturer's warranty.

If blocks interfere with installation, they may be removed.

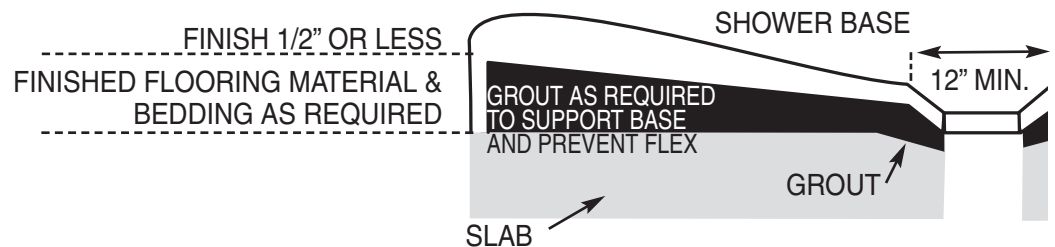


* SUGGESTED OPENING / FINAL SELECTION BY INSTALLER

ADA BASE

Always shim or grout under shower base to assure positive contact with the floor. Do not use an excessive amount of grout, this will cause the base to flex upward and prevent proper drainage of the unit. This voids the manufacturer's warranty.

INSTALLATION: 3/4" LIP



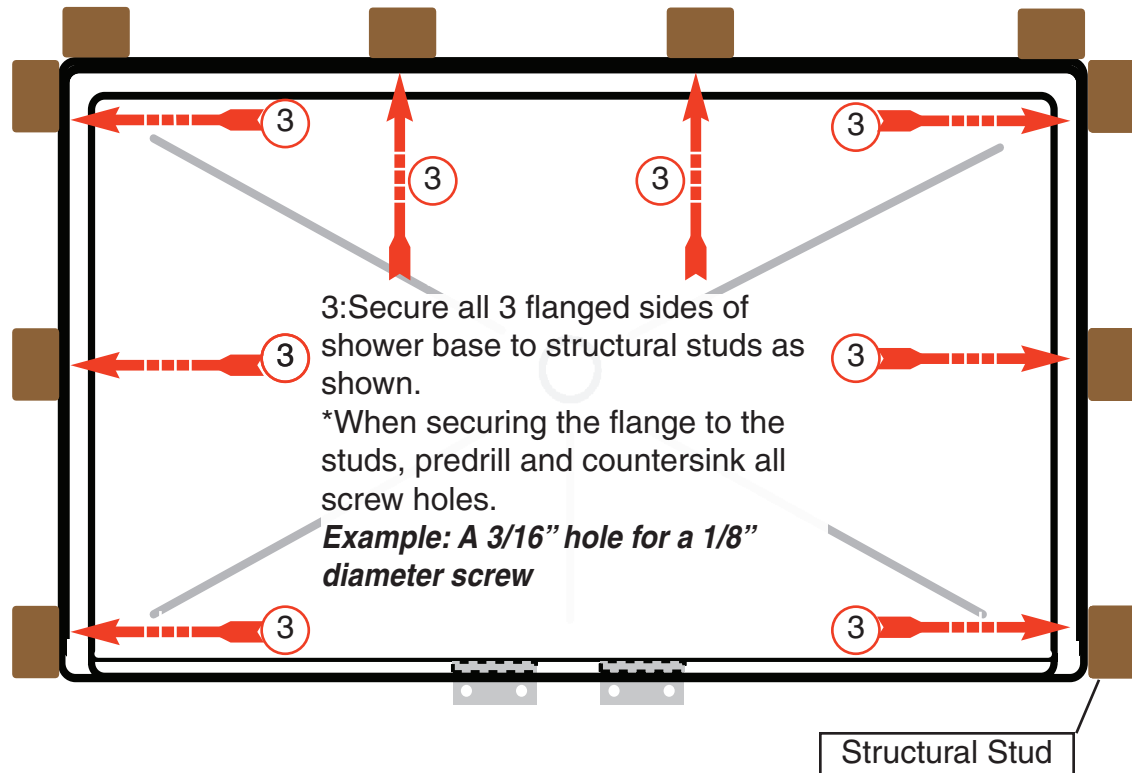
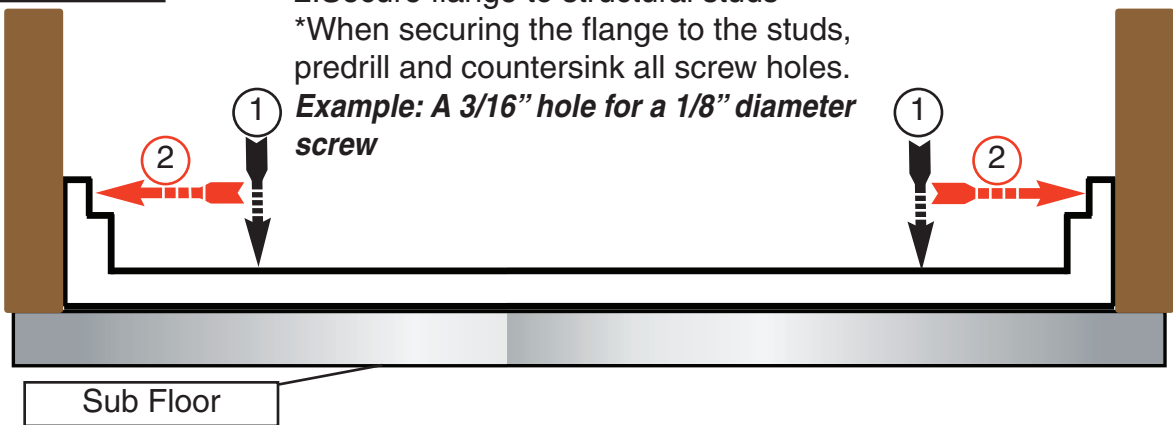
Installation Instructions ADA-Shower Base

SECURING THE FLANGE

1: Press shower base down to sub floor.
***Positive contact with floor is required, units must be installed plumb & level.**

Structural Stud

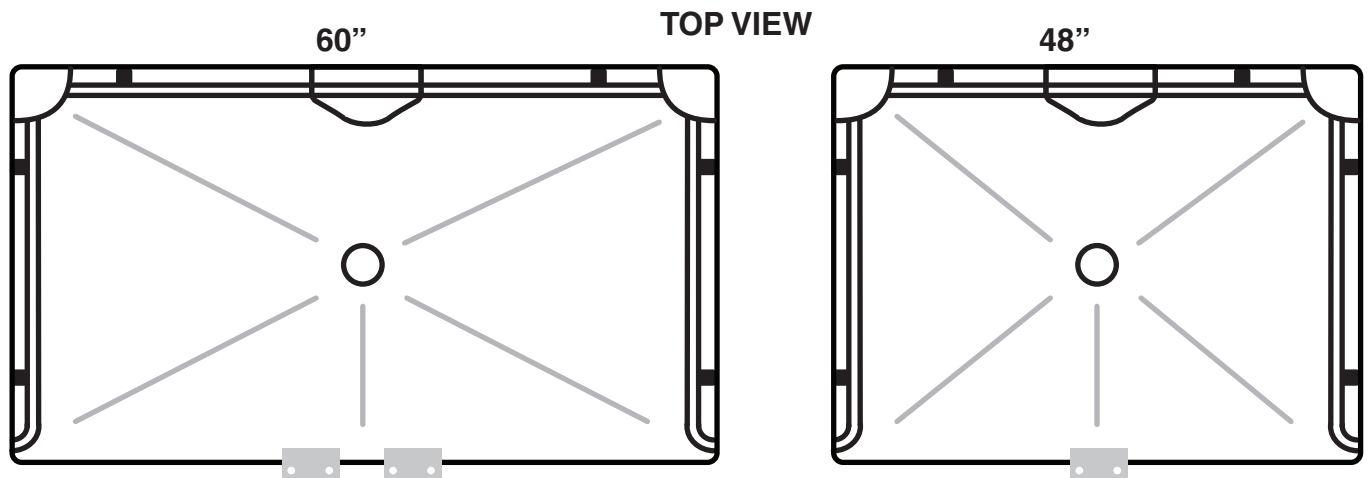
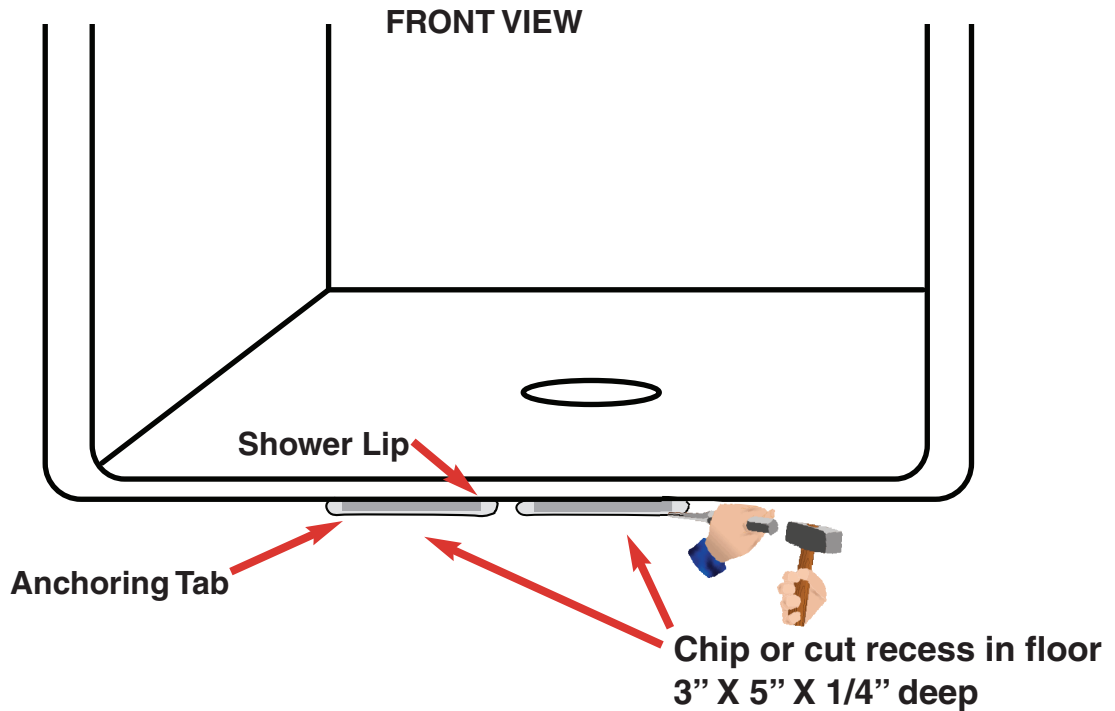
2: Secure flange to structural studs
***When securing the flange to the studs, predrill and countersink all screw holes.**
Example: A 3/16" hole for a 1/8" diameter screw



3: Secure all 3 flanged sides of shower base to structural studs as shown.
***When securing the flange to the studs, predrill and countersink all screw holes.**
Example: A 3/16" hole for a 1/8" diameter screw

TAB ANCHORING SYSTEM ADA-BF SHOWERS/BASES

60" Showers / Bases are supplied with two anchoring tabs.
48" Showers / Bases are supplied with one anchoring tab.



*Tabs must be secured to the floor with masonry self tapping anchor screws.
We recommend "Hilti" (KWIK-CON II + 316-134 PFH) or equal.

