

Multifunction Control Installation Guide For Clawfoot baths

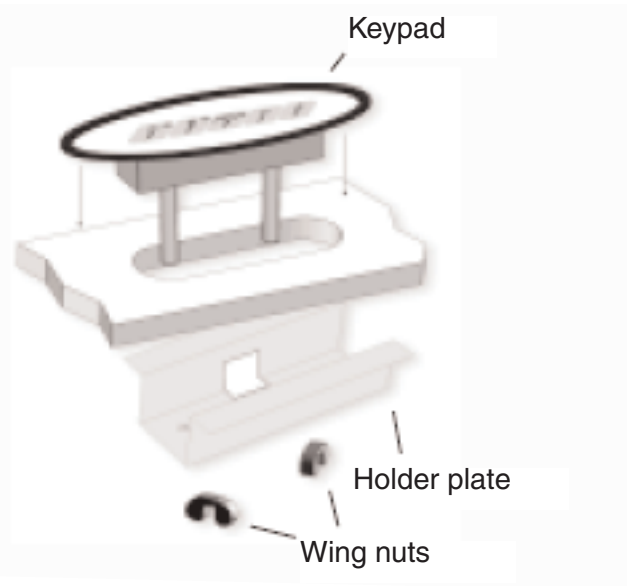
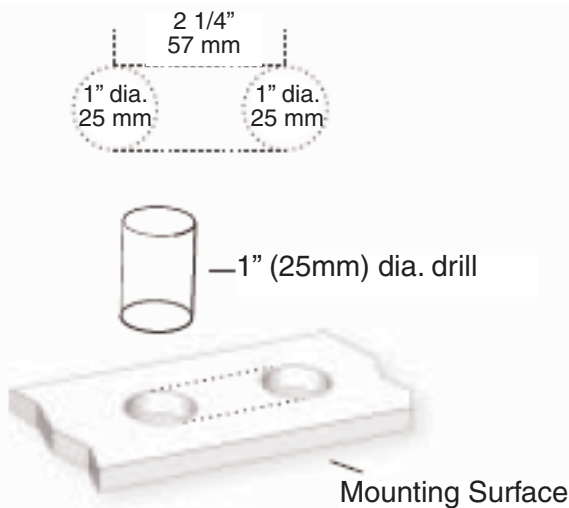
KEYPAD INSTALLATION

DO NOT install the keypad directly on the bath.

Install keypad in a location accessible to the user. The Keypad ships with a 6' wire, if a longer wire is required, one (12') extension can be added for a total of 18'; contact your authorised dealer.

Steps to follow:

- 1- Select the most appropriate location for the keypad. Place supplied cutting template for guidance.
 - 2- Drill two 1" (25mm) holes as illustrated. Cut out the material between the two holes using a jigsaw with a melamine or metal blade. (minimum 14 teeth/inch).
 - 3- Connect the keypad & run the system to test all functions before securing the keypad.
 - 4- Insert the keypad and secure it in place using the holder plate as shown below.
- * If installing in a location that does not allow the installer to use the holder plate, then the use of sealant/adhesive such as GE Silicone II is authorised to secure the keypad in place.



INTERCONNECTIONS

!!Power must remain OFF until all connections are completed!!

Keypad:

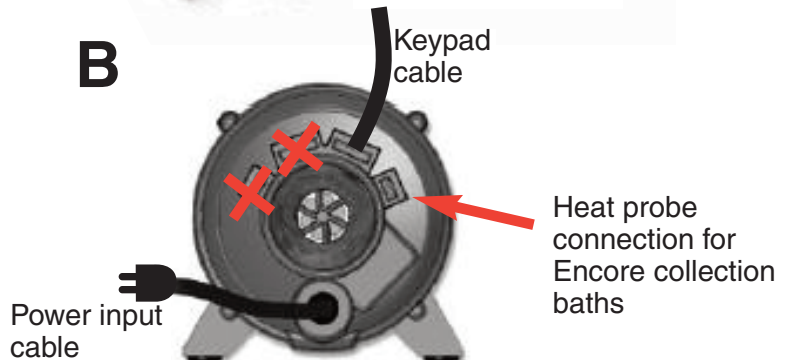
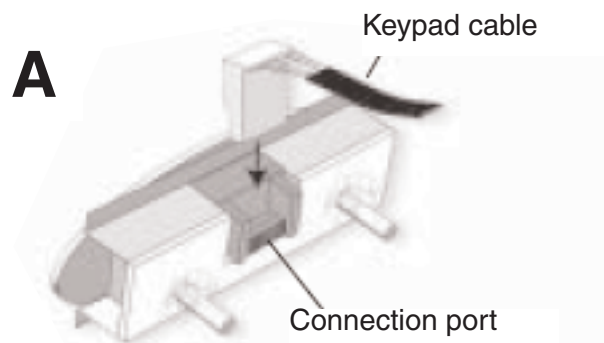
A cable is provided to connect the keypad to the 8-pin keypad connector on the blower. Connect one end of the cable to the keypad as shown in Figure A and the other to the blower as shown in Figure B.

Power input:

Locate the power input cable. Connect the cable to the electrical circuit. Refer to electrical requirements information supplied with bath for details.

GFCI:

It is mandatory to connect the control to a circuit protected with a Ground Fault Interrupter. Refer to electrical requirements information supplied with bath for details.

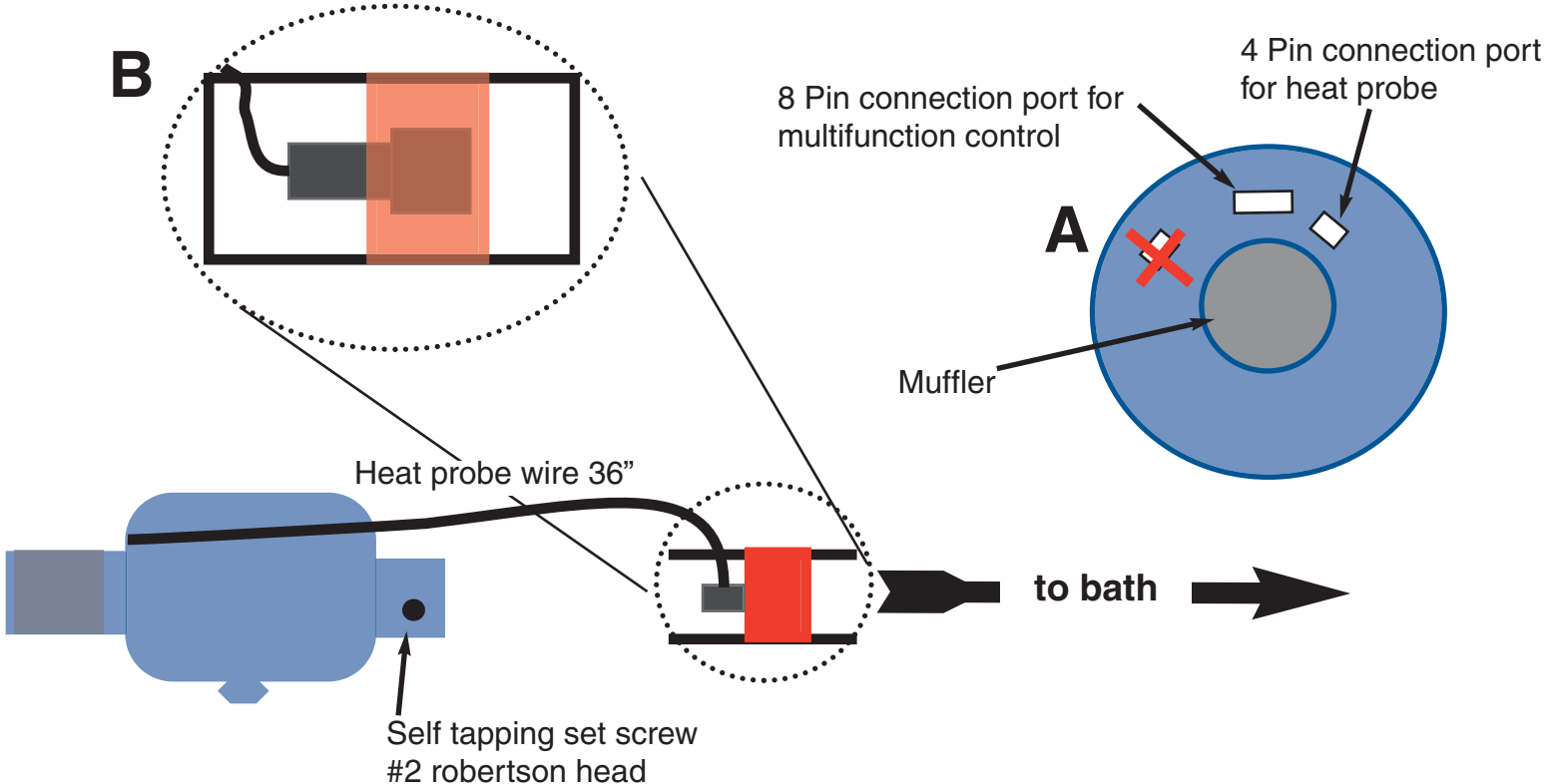


CLAWFOOT BATH HEAT PROBE INSTALLATION

Heat probe ships connected to blower, if the probe must be disconnected to facilitate installation, re-connect heat probe prior to connecting power supply.

1. Install blower motor at desired location. (Location must be CLEAN, DRY, AND WARM)
2. If disconnected, connect the heat probe wire to the blower as indicated in Image A
3. Use red tape (supplied) to install heat probe on air line. The heat probe must be installed as far from the blower as possible with the silver side facing the air line. (see image B)

Position probe on air line with silver side face down.
Use red tape supplied on PVC spool to fasten



ACRYLINE

Spa Baths

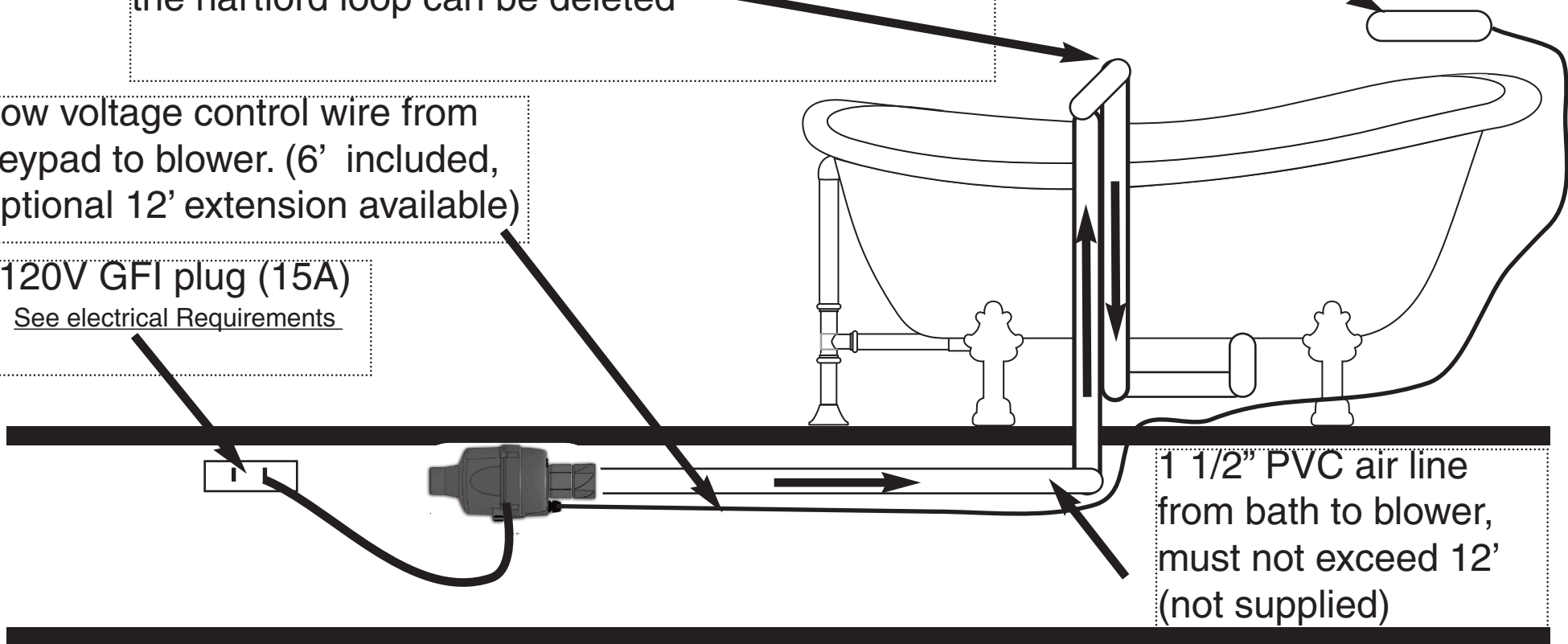
Hartford loop (included/ not installed) must exceed height of bath rim by 4". ** If blower is above bath, the hartford loop can be deleted **

Keypad on adj. wall. (do not attempt to mount keypad on bath shell)

See multifunction Keypad installation instructions

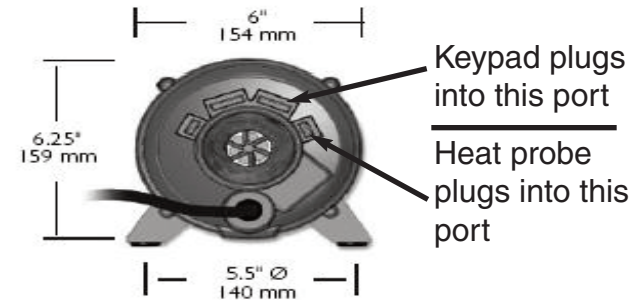
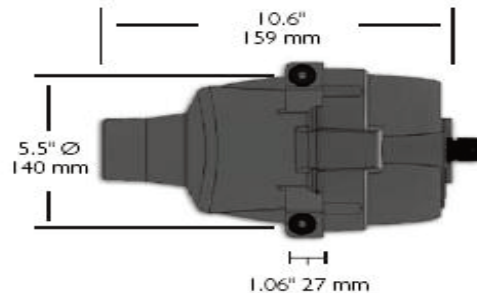
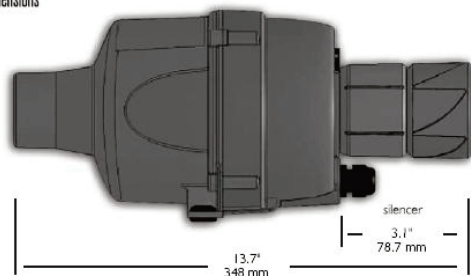
Low voltage control wire from keypad to blower. (6' included, optional 12' extension available)

120V GFI plug (15A)
See electrical Requirements



1 1/2" PVC air line from bath to blower, must not exceed 12' (not supplied)

► Dimensions



Single System Electrical Requirements **USA** (*True Drain*[®] Channel System or Injectors)

- Blower motor must be connected to a dedicated 120 V / 15AMP circuit protected by a GFI
- It is recommended that you engage the services of a qualified electrician for this installation
- Always consult your local electrical sub code official for electrical code compliance

