

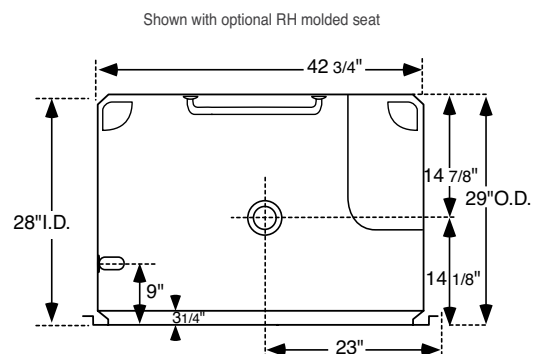
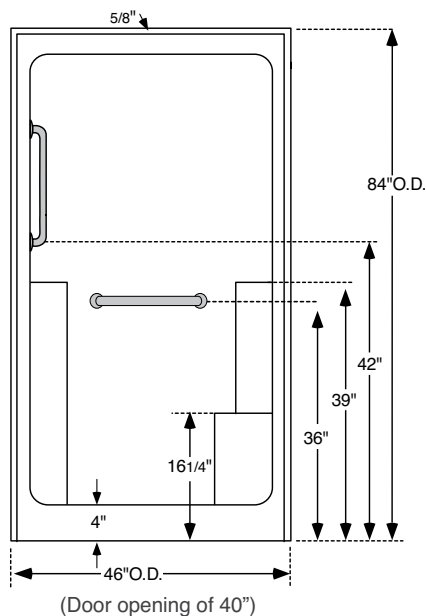
STANDARD OPTIONS

ASSISTED LIVING AND INSTITUTIONAL

- // Vertical 18" x 1½" SS Grab Bar // Horizontal 18" x 1½" SS Grab Bar
- // 2 Molded Soap Dishes // L/H or R/H Molded Seat or w/out Seat
- // Available in Domeless Configuration // Color: White
- // Alternate L/H or R/H Drain Positions and keep (see specs online)

ACCESSORIES

DESCRIPTION	CODE
1" Diameter 18 Gauge - Stainless Steel Curtain Rod	OP221
White Vinyl Anti-Bacterial Weighted Shower Curtain With Hooks - 71"	OP227
Halogen Dome Light (CSA-UL) 120 V. (Not Installed)	OP228
Brass Drain With Stainless Steel Strainer (Not Installed)	OP304
12" straight grab bar x 1½"	OP211
18" straight grab bar x 1½"	OP212
24" straight grab bar x 1½"	OP213
30" straight grab bar x 1½"	OP214
Fold Up Seat Conversion Package	OP169
Wood Grain Phenolic L/H Or R/H Fold Up Seat (16")	OP225
White Phenolic L/H Or R/H Fold Up Seat (16")	OP225W
Pre-Drill For Halogen Dome Light	OP320
Reinforced MDF Encapsulated Backing	OP330
Forward Flange Adapter	OP408
Chrome Faucet Kit - Includes: handheld shower with 24" slide bar, pressure balance mixing valve, vaccum breaker and 60" hose.	OP325
Factory Installed Chrome Faucet Kit - Same as above.	OP325



AT ACRYLINE, FUNCTIONALITY AND ADAPTABILITY
GO HAND IN HAND WITH AESTHETICS...



4



Conventional showers are often ill adapted to the needs of the disabled. With thresholds to step over, and space constraints impeding on the users mobility, these showers prove inadequate and can at times jeopardize the safety of the occupants. Acryline is well aware of the need for functional shower units that can adapt to your custom requirements without sacrificing beauty.

Each one of our commercial showers is manufactured from a single sheet of continuous cast Acrylic resulting in no seams or joints. The acrylic we use is of the finest quality; colorfast, and of sanitary grade, it will keep its' shine for numerous years and will resist deposits and grime build up. In order to meet your specific needs, Acryline offers a complete line of options and accessories ranging from space saving fold-up seats to grab bars and removable or collapsible thresholds for our barrier free showers.

Meeting ADA, ANSI and CSA's requirements for standards and code compliance, Acryline showers provide comfort and safety to occupants with special needs. Contemporary in style, Acryline showers are available in over 30 different configurations. We have the shower your needs desire.

ADA Showers

[Surpassing All Requirements](#)

Acryline has three shower models available in a total of sixteen barrier free configurations that meet the requirements of the Americans with Disabilities Act (ADA) as well as ANSI 117.1. All three models are equipped with easy to access soap dishes, as well as factory installed stainless steel grab bars to insure a safe entry and exit. Our optional heavy duty fold-up seat is easy to operate and will surpass all expectations when strength is concerned. Several other options are available allowing each client to personalize their shower to the nth degree.

We are capable of meeting the specific ADA requirements of the commonwealth of Massachusetts

Barrier Free Showers

[Access Freedom!](#)

Four more Barrier free Acryline Showers. Available with or without integrally molded seats as well as fold up seats, Acryline's barrier free line-up promotes a safe and easy access to the shower stall. Optional accessories, such as the removable thresholds, allow for quick conversion from a barrier free shower to a conventional fixture. With a choice of standard or custom positioning of grab bars and different drain positions, Acryline can surely provide the shower that meets your needs.

Assisted Living Showers

[Security, Comfort and Style](#)

When it comes to commercial fixtures, Acryline refuses to compromise style and beauty. Over ten models and as many configuration variants make this line up complete in every way. With or without domes, various drain positions, endless options and accessories... What more can we say, our Assisted living shower stalls allow you to configure your perfect shower.

Customizable Shower Bases

[Your Own Custom Showering Area](#)

Made of the same acrylic as our baths and showers, our three barrier free models can be configured in SIXTY different ways to meet your specific requirements. Easily converted from a barrier free to a conventional base by adding one of our removable threshold options the possibilities then become endless. Four choices of receiving flange width ranging from ½" to 1¼" allow for a perfect fit regardless of the wall materials and five different drain positions available on each model make for the most versatile bases in the market.

OPTIONS VS. ACCESSORIES

THROUGHOUT THIS PRICE BOOK WE ENUMERATE SEVERAL OPTIONS AND ACCESSORIES AND IT IS IMPORTANT THAT THE DIFFERENCE BETWEEN BOTH BE CLEAR.

Options are generally factory installed and often reflect a configuration choice made at the moment of purchase whereas accessories are typically items that even though they may be purchased with the fixture could be sold separately.

Below is a summary list of options and accessories that will allow you to customize your fixtures. Consider both your needs and desires as you thumb through this catalog. Don't forget, you deserve the best!

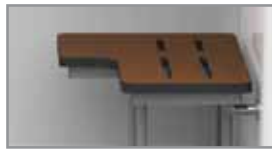
6



GRAB BARS



MOLDED SEATS



FOLD UP SEATS



CURTAIN WITH HOOKS



18" GAUGE SS CURTAIN ROD



FORWARD FLANGE ADAPTER



FUS CONVERSION PACKAGE



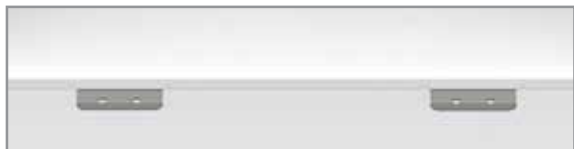
REMOVABLE THRESHOLD W/
LOCKING SYSTEM



COLLAPSIBLE ROLL-OVER
WATER RETENTION STRIP



SEMI-PERMANENT
THRESHOLD



FLOOR ANCHORING TABS

GRAB BARS

For increased comfort and security in the bathroom, grab bars are a must. Vertical, horizontal, smooth or peened, like a guardian angel, they won't let you down.

SEATS

Peace of mind is only a seat away. Exceeding all code requirements, our "heavy duty" fold-up seats are available in all of our commercial fixtures. We also offer integrally molded seats that blend in perfectly and offer a discreet alternative.

REMOVABLE THRESHOLDS

The ultimate in convertibility.

For those applications where a barrier free shower may be needed down the road this option is the ounce of prevention that outweighs any pound of cure. Our models vary from the basic collapsible roll-over water retention strip that acts as a water barrier to our unique Removable Threshold with locking system that allows for long term conversions from Barrier Free to standard thresholds or vice versa.

BARRIER FREE, LIP ANCHORING TAB

This feature assures the proper fit and finish of the lip on all ADA and Barrier free units. Acryline provides this feature on all units 48" to 60" in length.

FORWARD FLANGE ADAPTER

Want to upgrade from fiberglass to high quality acrylic? Change your acrylic receiving flange and mimic that of a fiberglass unit request the Forward Flange Adapter by Acryline. Consult your Acryline representative

FOLD UP SEAT CONVERSION PACKAGE

Allows the commercial or residential customer to add or remove a fold up seat effortlessly in just minutes without permanent damage to the shower finish.

DOME LIGHT

Easy to install and meeting all code requirements, our dome light is not only practical but also highly aesthetic. When ordered with a shower we can pre-drill the acrylic for you guaranteeing its' perfect fit.

CHROME FAUCET KIT

Aesthetically, it is best described as attractive chrome plated handheld shower that rides on a 60" flex hose and attaches to a 24" slide bar.

CURTAIN & CURTAIN ROD

Acryline gets serious when it comes to privacy.

// 1" diameter 18 gauge stainless steel curtain rod

// White weighted shower curtain with hooks

PRE-DRILLING & BACKING

We can personalize your shower to match your installation needs. Pre-drilling is available for valves and supply lines as well as for dome lights. Should you need a reinforced area allowing for field installed accessories, we do that too.

DRAIN

In an effort to make our ADA showers as all inclusive as possible, they are equipped with a hassle free no caulk compression type Solid brass drain and chrome plated stainless steel strainer. This accessory is also available with all our other assisted living fixtures.