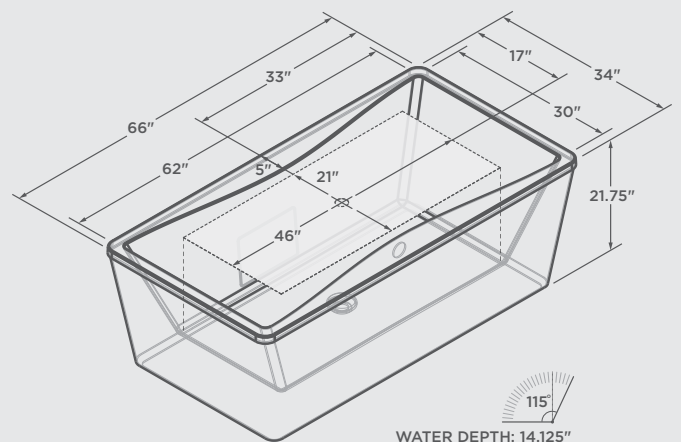




NIVO

Acrylic freestanding bathtub

66" x 34" x 21³/₄"
 65 US Gallons – 246 Liters



115°
 WATER DEPTH: 14.125"



NIVO

66" x 34" x 21³/₄" (1676 x 864 x 552mm)
65 US Gallons – 246 Liters

- Freestanding bathtub
- Reinforced acrylic construction in white gloss finish
- Smooth bottom
- Adjustable leveling legs
- Waste and overflow chrome included
- Access panel for plumbing connections
- Accommodates deck mount faucet

CHOICES

- Chromotherapy: 2 or 4 lights ✨
- Radiant heat optional with Soaker bathtub 🌊



ENCORE SERIES

CODE

SOAKER BATHTUB ONLY

NIVORR
2x ✨ NIVORR-C2
4x ✨ NIVORR-C4

SOAKER + RADIANT HEAT

NIVORR-H
2x ✨ NIVORR-C2-H
4x ✨ NIVORR-C4-H

TRUE DRAIN™ AIR CHANNEL

NIVO01
2x ✨ NIVO01-C2
4x ✨ NIVO01-C4

AIR INJECTOR

NIVO04
2x ✨ NIVO04-C2
4x ✨ NIVO04-C4

ULTIMATE COMBO

NIVO06
2x ✨ NIVO06-C2
4x ✨ NIVO06-C4

OPTIONS

REMOTE CONTROL FOR ENCORE SYSTEMS:
CHROMOTHERAPY, TRUE DRAIN™ OR AIR INJECTOR
(NOT AVAILABLE WITH ULTIMATE COMBO AND RADIANT HEAT)

KEYPAD FOR ULTIMATE COMBO SYSTEM OR RADIANT HEAT

Keypad trim - White
Keypad trim - Chrome or Brushed nickel

TRIM KIT LIGHTS AND INJECTORS

White trims
Light trims - Chrome or Brushed nickel
Injector caps - Chrome or Brushed nickel

PILLOW

Classic - Available in White or Black

12' RELOCATION KIT

*IT ALLOWS TO RELOCATE THE SYSTEM BLOWER(S) UP TO 12' OF THE TUB.

DRAIN AND OVERFLOW

Chrome
Brushed nickel