

- ANSI Z124.2
- CSA B45.5 94/B45-94
- ASTM E-84/ULC-S-102
- Meets requirements for Universal Plumbing Code administered by IAPMO, HUD, BOCA, and NAHB

**NOTE:** Backing & bolts for grab bars may add up to 3/4" to overall dimensions.

Note: Dimensions may vary within normal manufacturing tolerances +/- 1/4".

## ARCHITECTURAL SPECIFICATION:

Shower Enclosure shall be Acryline®, model number A4040 BF-3/4" molded from a single sheet of cast acrylic resulting in no seams or joints. Unit shall have a 3/4" or less threshold lip with encapsulated steel reinforcement for level floor installation. Enclosure shall be certified ANSI Z124.2 with a backside flame spread of less than 30.

Inside measures 41 1/2" x 38 1/4" x 79". Outside measures 41" x 41" x 82 3/4". Approximate weight 150 lbs.

Enclosure equipped standard with 1 integral molded shelf. Enclosure will be equipped with factory installed 18 gauge SS grab bars: 2 vertical 18" x 1 1/2" **OP212** . Grab bars to be installed with steel backing and shall be sealed to insure water tight integrity. Unit shall have self-caulking brass drain with s.s. strainer **OP304**  and the following options.

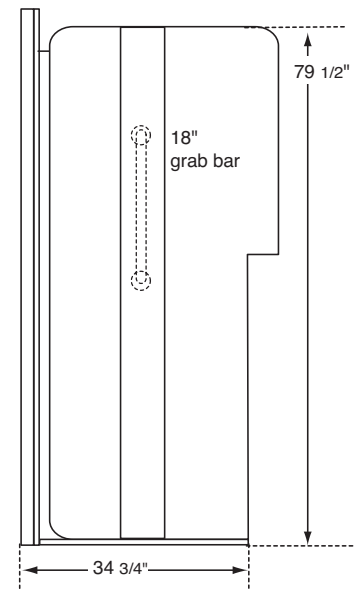
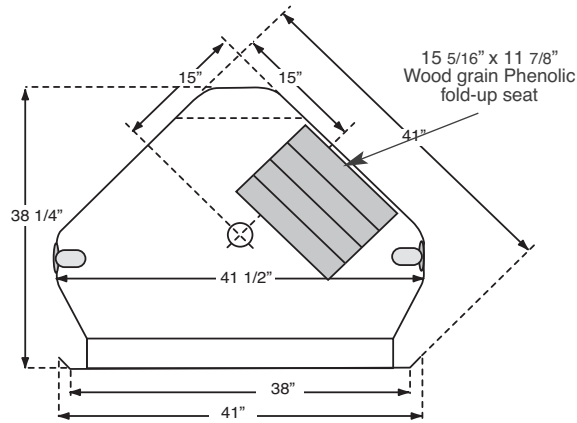
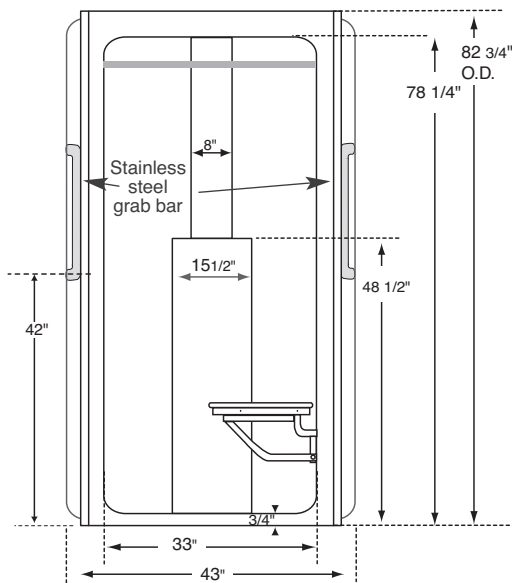
State agencies and local cities sometimes require specific code compliance regulations. Acryline®. ADA compliant units are based on the guidelines of the American with Disabilities Act 1991. Any improper installation/field modifications could take the enclosure out of compliance. Acryline® accepts no responsibility for final code compliance.

## OPTIONS:

- |  |  |
|--|--|
| <input type="checkbox"/> Pressure balanced shower valve                    | <input type="checkbox"/> Anti-Bacterial shower curtain/hooks <b>OP226</b>    |
| <input type="checkbox"/> Hand held shower w/ 60" flex hose & 24" slide bar | <input type="checkbox"/> Collapsible water retaining strip <b>OP100</b>      |
| <input type="checkbox"/> 30" slide bar                                     | <input type="checkbox"/> Semi-permanent threshold <b>OP305</b>               |
| <input type="checkbox"/> In-line vacuum breaker                            | <input type="checkbox"/> Halogen dome light <b>OP228</b>                     |
| <input type="checkbox"/> Forward flange adaptor (consult factory)          | <input type="checkbox"/> Pre-drilled for dome light <b>OP320</b>             |
|  | <input type="checkbox"/> 1" S.S Curtain rod <b>OP220</b> (Factory installed) |

**Modifications:**

**Received and/or Approved by:**



- ANSI Z124.2
- CSA B45.5 94/B45-94
- ASTM E-84/ULC-S-102
- Meets requirements for Universal Plumbing Code administered by IAPMO, HUD, BOCA, and NAHB

**NOTE:** Backing & bolts for grab bars may add up to 3/4" to overall dimensions.

Note: Dimensions may vary within normal manufacturing tolerances +/- 1/4".

## ARCHITECTURAL SPECIFICATION:

Shower Enclosure shall be Acryline®, model number A4040 BF-FUS-3/4" R or L molded from a single sheet of cast acrylic resulting in no seams or joints. Unit shall have a 3/4" or less threshold lip with encapsulated steel reinforcement for level floor installation. Enclosure shall be certified ANSI Z124.2 with a backside flame spread of less than 30.

Inside measures 41 1/2" x 38 1/4" x 79". Outside measures 41" x 41" x 82 3/4". Approximate weight 170 lbs.

Enclosure equipped standard with wood grain phenolic fold-up seat "RH" or "LH" **OP225**  and 1 integral molded shelf. Enclosure equipped with factory installed 18 gauge s.s. grab bars: 2 vertical 18" x 1 1/2" **OP212** . Grab bars to be installed with steel backing and shall be sealed to insure water tight integrity. Unit shall have self-caulking brass drain with s.s. strainer **OP304**  and the following options.

State agencies and local cities sometimes require specific code compliance regulations. Acryline®. ADA compliant units are based on the guidelines of the American with Disabilities Act 1991. Any improper installation/field modifications could take the enclosure out of compliance. Acryline® accepts no responsibility for final code compliance.

## OPTIONS:

- |   |   |
|---|---|
| <input type="checkbox"/> White phenolic fold-up seat L/H or R/H <b>OP225W</b>     | <input type="checkbox"/> Anti-Bacterial shower curtain/hooks <b>OP226</b> |
| <input type="checkbox"/> Pressure balanced shower valve                           | <input type="checkbox"/> Removable threshold                              |
| <input type="checkbox"/> Hand held shower w/ 60" flex hose & 24" slide bar        | <input type="checkbox"/> Semi-permanent threshold                         |
| <input type="checkbox"/> 30" slide bar  | <input type="checkbox"/> Halogen dome light <b>OP228</b>                  |
| <input type="checkbox"/> In-line vacuum breaker                                   | <input type="checkbox"/> Collapsible (Roll-over) Water Retaining Strip    |
| <input type="checkbox"/> 1" S.S. Curtain rod <b>OP220</b> (Factory installed)     | <input type="checkbox"/> Pre-drilled for dome light <b>OP320</b>          |
| <input type="checkbox"/> Fold-up seat conversion package <b>OP169</b> (Less Seat) |   |

**Modifications:**

**Received and/or Approved by:**

BARRIER FREE

## At Acryline, functionality and adaptability go hand in hand with aesthetics...

Conventional showers are often ill adapted to the needs of the disabled. With thresholds to step over, and space constraints impeding on the users mobility, these showers prove inadequate and can at times jeopardize the safety of the occupants. Acryline is well aware of the need for functional shower units that can adapt to your custom requirements without sacrificing beauty.

Each one of our commercial showers is manufactured from a single sheet of continuous cast Acrylic resulting in no seams or joints. The acrylic we use is of the finest quality; colorfast, and of sanitary grade, it will keep its' shine for numerous years and will resist deposits and grime build up. In order to meet your specific needs, Acryline offers a complete line of options and accessories ranging from space saving fold-up seats to grab bars and removable or collapsible thresholds for our barrier free showers.

Meeting ADA, ANSI and CSA's requirements for standards and code compliance, Acryline showers provide comfort and safety to occupants with special needs. Contemporary in style, Acryline showers are available in over 30 different configurations. We have the shower your needs desire.

### **ADA shower Section**

#### [Surpassing All Requirements](#)

Acryline has three shower models available in a total of sixteen barrier free configurations that meet the requirements of the Americans with Disabilities Act (ADA) as well as ANSI 117.1 All three models are equipped with easy to access soap dishes, as well as factory installed stainless steel grab bars to insure a safe entry and exit. Our optional heavy duty fold-up seat is easy to operate and will surpass all expectations when strength is concerned. Several other options are available allowing each client to personalize their shower to the nth degree.

\*We are capable of meeting the specific ADA requirements of the commonwealth of Massachusetts\*

### **Barrier free section**

#### [Access Freedom!](#)

Four more Barrier free Acryline Showers. Available with or without integrally molded seats as well as fold up seats, Acryline's barrier free line-up promotes a safe and easy access to the shower stall. Optional accessories, such as the removable thresholds, allow for quick conversion from a barrier free shower to a conventional fixture. With a choice of standard or custom positioning of grab bars and different drain positions, Acryline can surely provide the shower that meets your needs.

### **Assisted Living**

#### [Security, Comfort and Style](#)

When it comes to commercial fixtures, Acryline refuses to compromise style and beauty. Over ten models and as many configuration variants make this line up complete in every way. With or without domes, various drain positions, endless options and accessories... What more can we say, our Assisted living shower stalls allow you to configure your perfect shower.

### **Customizable shower bases**

#### [For your own custom showering area](#)

Made of the same acrylic as our baths and showers, our three barrier free models can be configured in SIXTY different ways to meet your specific requirements. Easily converted from a barrier free to a conventional base by adding one of our removable threshold options the possibilities then become endless. Four choices of receiving flange width ranging from ½" to 1¼" allow for a perfect fit regardless of the wall materials and five different drain positions available on each model make for the most versatile bases in the market.



## ACRYLINE OFFERS OVER 60 DIFFERENT SIZES AND SHAPES TO FIT YOUR PROJECT NEEDS

### FEATURES & BENEFITS

- HEALTH :** Gentle full-body air massage that stimulates the meridians of the central nervous system encouraging circulation.
- ENGINEERING :** Air injectors are placed in strategic locations following consultation with medical professionals to protect the health of patients.
- SANITATION :** Superseding industry standards, Acryline's new channel technology provides glass smooth interior surfaces and a natural slope towards the drain enabling gravity to draw any moisture to the lowest point of the channel, out a port, across the shortest part of the bath basin and right to the drain, thus eliminating moisture and bacteria.
- MAINTENANCE :** Easy to clean and disinfect freeing nursing and housekeeping staff from immediate and time-consuming sanitation procedures.

### PARTIAL CLIENT LIST

#### BIRTHING CENTERS/HOSPITALS

- HUNTERDON MEDICAL CENTER, NJ
- MAINE GENERAL MEDICAL CENTER, ME
- NEWTON WELLSLEY HOSPITAL, MA
- PRESBYTERIAN HOSPITAL, NC
- SOUTH JERSEY MEDICAL CENTER, NJ
- WHITE COUNTY HOSPITAL, AR
- THE MOTHER CHILD CENTRE (WEC), CHUL, QC
- LAVAL HEALTH CENTER, QC
- HOPITAL-PIERRE-LE-GARDEUR, QC

#### COLLEGES, UNIVERSITIES & HOSPITALITY CENTERS

- RÉSIDENCES DU CENTRE D'ARTS ORFORD, QC
- CHEYNEY UNIVERSITY, PA
- FORDHAM UNIVERSITY, NY
- SUNY UNIVERSITY, NY
- COLLEGE OF ST. ROSE, NY
- UNIVERSITY OF ARKANSAS, AR
- HACKENSACK SENIOR HOUSING AUTHORITY, NJ
- MORRISTOWN SENIOR HOUSING AUTHORITY, NJ

#### FITNESS CENTERS

- WORK OUT WORLD
- SEVERAL WORK OUT WORLD LOCATIONS IN THE NORTHEASTERN US